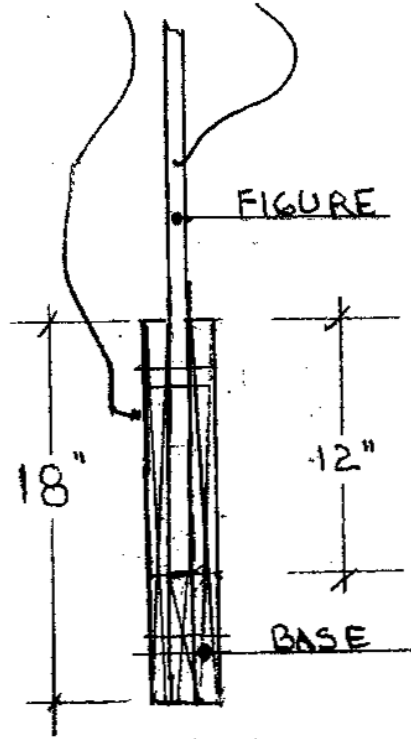
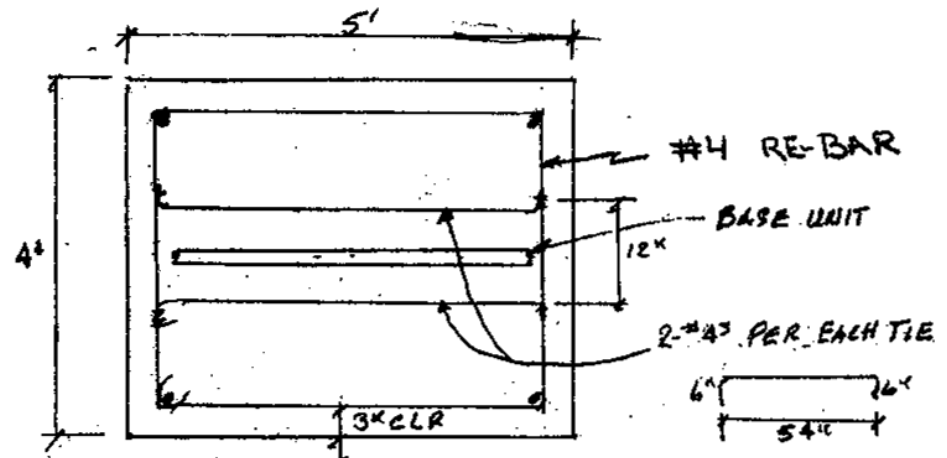
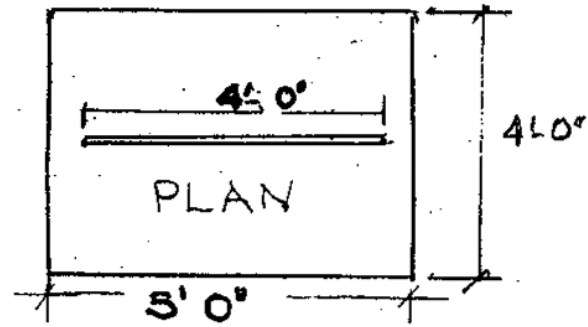


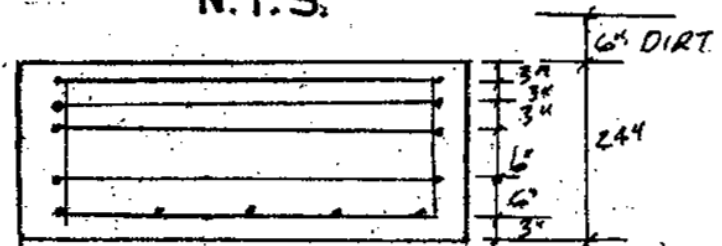
1" THICK
ALUMINUM FIGURE
AND BASE



N.T.S.



PLAN VIEW
N.T.S.



N.T.S. ELEVATION OF REINFORCING